

MUJIE 慕杰®

YOUR AUTOMATION.YOUR MUJIE!

磁栅编码器 MNK600 系列 Magnetic grating encoder MDPI series

高精度、非接触式高精度测量、运行精密准确、自由设定分辨率、可按要求制定输出频率，间隙公差大、防尘防湿耐脏、无限的测量距离

High precision, non-contact high-precision measurement, precise and accurate operation, freely set resolution, output frequency can be set according to requirements, large gap tolerance, dust, moisture, dirt and unlimited measurement distance



► 型号说明 Model Explanation

| M | CSC | 13 | -Z1 | P2 | V5 | D1 | L1 | -R1 | -300 | □ | □ |
|------------------------------------------------------------------------------------------------|-----------------------|---------------------------------------------------------------|------------------------------------------------------------|---------------------------------------------------------------------------------|---------------------------------------|---------------------------------------------------------------------------------------------|--------------------------------------------------|-------------------------------------------------------------------------------|-----------------------------------------------------|---------------------------------------|--------------------------------|
| 基本型号 Model M:常规增量型 Incremental encoder M□: 特殊型号定义 Speciall definition | CSC:磁栅尺 Magnescale | 读头宽度: Read head width: 10:10mm 11:11mm 13:13mm | 参考信号 Reference signal Z0:无 Z1:循环信号 Z3:来自参考点 | 磁极距: Magnetic pole distance: P0.5:0.5mm P1: 1mm P2:2mm P5:5mm | 电压 Voltage: V5:5V V732:7-32V | 接口: Interface: D1:RS422 D2:推挽式 HTL push pull HTL D3:推挽式 TTL push pull TTL | 线缆长度 Cable L1:1m L2:2m(标准) L3:3m(标准) | 分辨率: resolving power: R0.5:1mm R1:2mm R2.5:5mm (标准的磁极 距) | 最大输出频率: Maximum output frequency: F1000 | 插头 可定制 Plug Custo mizable | 客户定制 Customized informat |

► 电缆线颜色说明 Cable Color Explanation

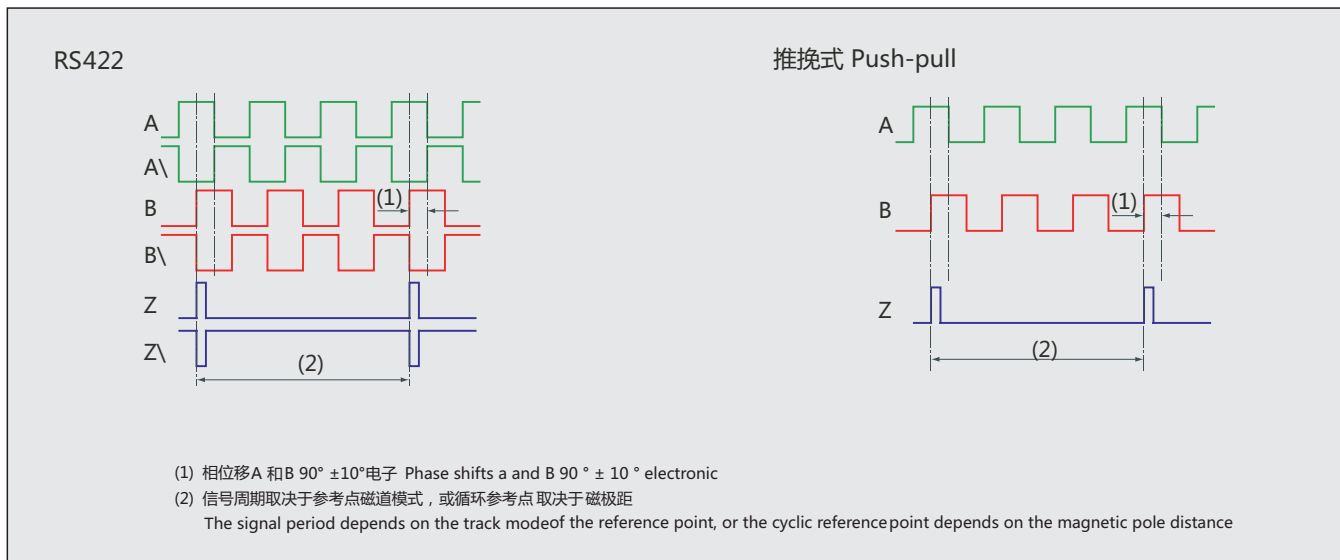
| 信号线Signal | VCC | 0V | A | B | Z | A/ | B/ | Z/ | 屏蔽线Shield |
|--------------|------|-------|--------|-------|---------|--------|---------|--------|-----------|
| 8芯电缆线8 wires | 红Red | 蓝Blue | 棕Brown | 灰Gray | 粉Powder | 绿Green | 黄Yellow | 白White | N.C |

注1: 电缆颜色若有更改, 恕不另行通知, 请以编码器标签或说明书上的颜色定义为准。Note1: Please refer to color table or product instruction to connect wires.Chang of wire color will not be informed respectively.
注2: 电缆线标准线长2米, 如需其他规格在订货中备注说明。Note2: Standard cable length is 2m.Other length can be customized.

► 技术规格 Specification

| 检测范围 Detection Range | |
|---------------------------------|--------------------------------------------------------------------------------|
| 分辨率 resolution | 0.0675 μm 至 to 312.5 μm |
| 最高速度 Top speed | 高至 Up to 75 m/s |
| 电流能耗 Current energy consumption | 65 mA ± 5 % (UB = 5 V) |
| 工作温度 Operating temperature | -20° ... +70° C |
| 储存温度 Storage temperature | -20° ... +80° C |
| 保护等级 Protection level | Ip67 |
| LED | 绿色 LED = 设置正常 红色 LED = 设置错误 Green LED = normal setting red LED = wrong setting |
| 可调节参数 Adjustable parameter | 分辨率 最大输出频率和计算总数 Resolution, maximum output frequency and total count |
| 磁极距 Magnetic Pole distanc | 1 mm 2 mm 5 mm |
| 电压 voltage | 5 V 或7 - 32 V |
| 连接类型 Connection type | RS422 推挽式 TTL 推挽式HTL Rs422 push pull TTL push pull HTL |
| 线缆长度 Cable length | 标准 2 m 可按要求延长至6 m Standard 2 m can be extended to 6 m as required |
| 插头 plug | 散状线 根据选型订购插头 Loose thread, according to the type of order plug |

► 输出信号 output signal



编码器/磁栅尺
Encoder/Magnetic Scale

位移/倾角/计数器
Displacement /Inclination /Counter

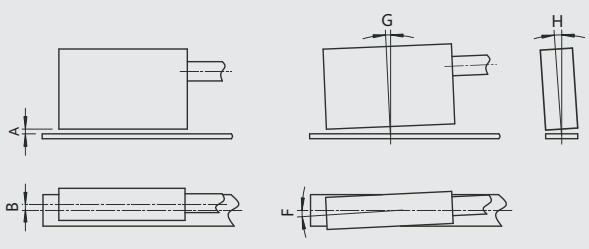
接近/加速度/温度
Proximity /Acceleration /Temperature

光电/超声波/区域
Photoelectric /Ultrasonic /Area

压力/称重
Pressure / load cell

联轴器/附件
Couplings/Accessories

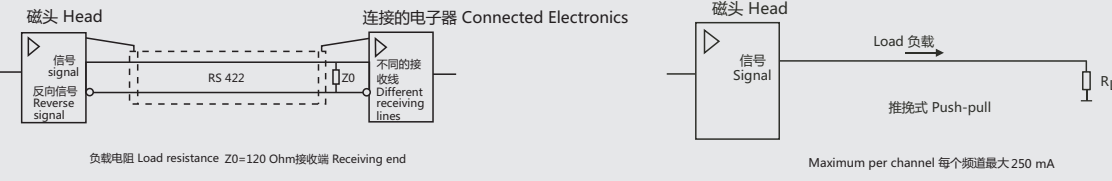
► 安装公差 Installation tolerance



| Magnetic pole distance | 磁极距 0.5 mm | 磁极距 1 mm | 磁极距 2 mm | 磁极距 5 mm |
|------------------------|------------|-----------|-----------|-----------|
| A [mm] | 0.1...0.25 | 0.1...0.5 | 0.1...1.0 | 0.1...2.5 |
| B ⁽³⁾ [mm] | 2.5 | 2.5 | 2.5 | 2.5 |
| B ⁽⁴⁾ [mm] | 0.5 | 0.5 | 0.5 | 0.5 |
| G | 0.5° | 1° | 1° | 1° |
| H | 3° | 3° | 3° | 3° |
| F | 3° | 3° | 3° | 3° |

(3) 配 10 mm 宽的磁尺 (1-磁道)
Equipped with 10mm magnetic ruler (1-track)
(4) 配 10 mm 宽的磁尺 (2-磁道)
Equipped with 10mm magnetic ruler (2-track)

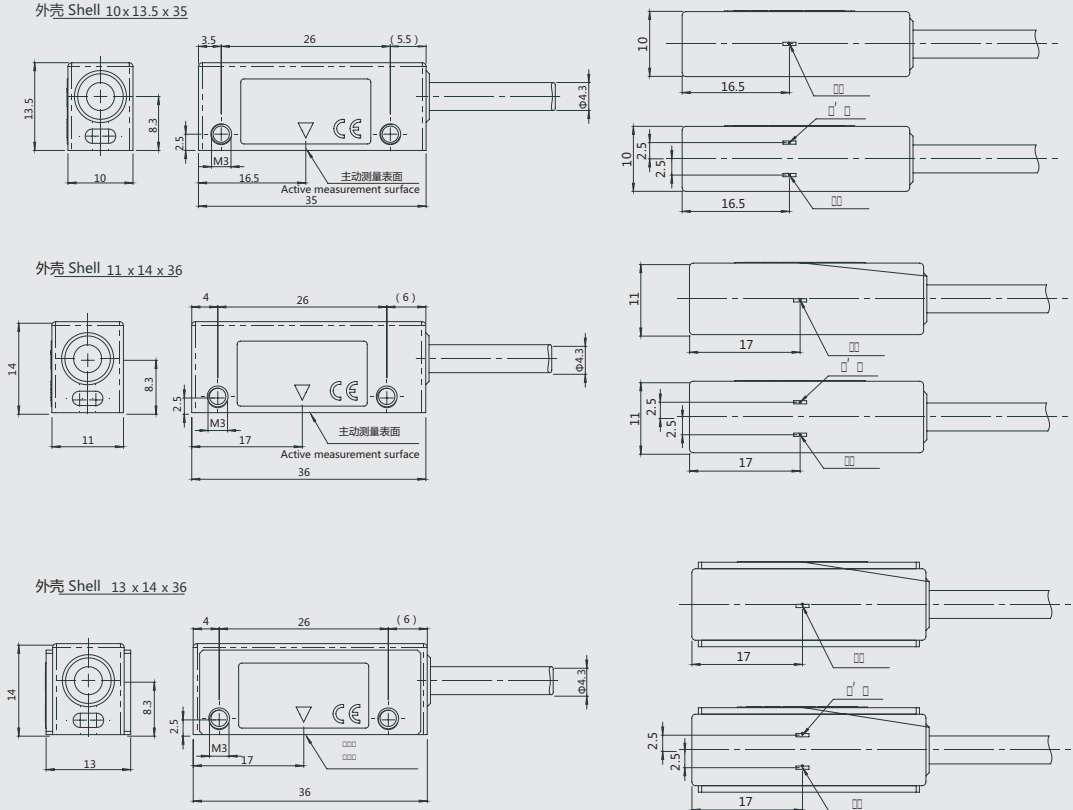
► 电路输出 Circuit output



负载电阻 Load resistance Z0=120 Ohm接收端 Receiving end

Maximum per channel 每个频道最大 250 mA

► 安装尺寸图 Mounting Dimensions(单位Unit:mm)



外壳 Shell 10x13.5 x 35

外壳 Shell 11 x 14 x 36

外壳 Shell 13 x 14 x 36

主动测量表面
Active measurement surface

主动测量表面
Active measurement surface

主动测量表面
Active measurement surface