

MUJIE 慕杰[®]

YOUR AUTOMATION.YOUR MUJIE!

手持盒编码器MSC系列

Handheld box encoder MSC series

造型新颖，移动方便，抗干扰，带载能力强 备有控制开关，急停开关可选；产品广泛用于数控机床，印刷机械等数控设备；全塑料外壳，绝缘强度高

Novel shape, convenient movement, anti-interference strong load carrying capacity, equipped with control switch and emergency stop switch; Products are widely used in CNC machine tools, printing machinery and other CNC equipment; All plastic shell with high insulation strength



型号说明 Model Explanation

MSC	-C-	(100)	5	4	-69	□	□	□
基本型号 Model M:常规增量型 Incremental encoder M□: 特殊型号定义 Special definition	输出方式 Output mode: C:集电极开路 Open collector L:差分输出 Differential output	脉冲数/分辨率 Resolution 25/100P/R	电压 Voltage 5:5v 5-26:5-26V	轴 Axis 4:4轴 Axis 5:5轴 Axis 6:6轴 Axis	开关 Switch 69:没有使能, 不带急停开关 No enable, without emergency stop switch 74:带使能, 带急停开关 With enable and emergency stop switch	航空插头 Aviation plug G:公端 Male M:母端 Female end	插头规格 Plug size 15:15芯 25:25芯 26:26芯	客户定制 Customized informat

电缆线色说明 Cable Color Explanation

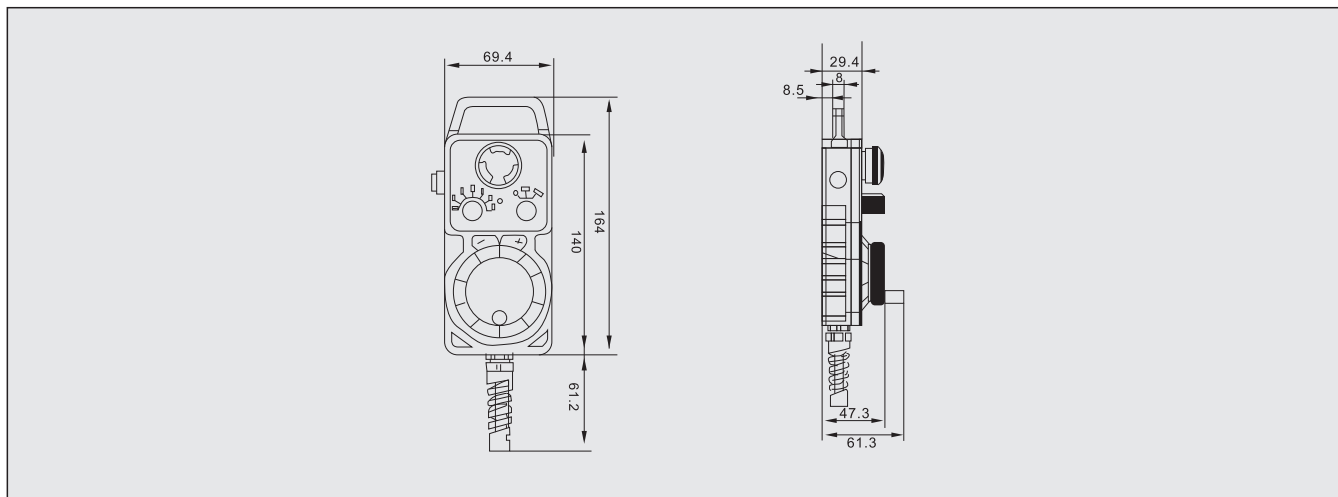
信号线Signal	GND	VCC	A	B	A /	B /	L -	L +	COM	X100	X10	X1	6 (选配)	5 (选配)	4	Z	Y	X	屏蔽线Shield
电缆线 wires	黑Black	红Red	黄Yellow	白White	粉红Pink	绿Green	浅紫 Light purple	透明 Transparent	紫 Purple	透明紫 Transparent purple	蓝/黑 Blue/black	绿/黑 Green/black	灰 Gray	红/黑 Red/black	蓝 Blue	浅蓝 Light blue	橙 Orange	棕 Brown	N.C
序号 NO	1	2	3	4	5	6	7	8	9	10	11	12	13	14	15	16	17	18	

注1: 电缆颜色若有更改, 恕不另行通知, 请以编码器标签或说明书上的颜色定义为准。Note1: Please refer to color table or product instruction to connect wires. Change of wire color will not be informed respectively.
注2: 电缆线标准线长2米, 如需其他规格在订货中备注说明。Note2: Standard cable length is 2m. Other length can be customized.

技术规格 Specification

电气参数 ELECTRIC PARAMETAR		
输出电路 Output circuit	驱动器 Drivers L	C、E、F
电源电压 Mains voltage	+5V ± 5%	+5V ~ 24v
消耗电流 Current consumption	≤ 60mA	≤ 120mA
允许负载 Allowable load	20mA	30 mA
信号高电平 Signal high electrical level	≥ 2.5V	≥ VCC * 70%V
信号低电平 Signal low electrical level	≤ 0.5V	≤ 0.5V
上升/下降时间 Rise /down time	≤ 100ns	≤ 1us
响应频率 Response frequency	100KHz	100KHz
机械及环境参数 Mechanical and Environmental		
抗冲击 Concussion resist	1000m/s ² , 6ms	
抗振动 Vibration resist	100m/s ² , 10~200Hz	
工作温度 Working temperature	- 20°C ~ +85°C	
储存温度 Storing temperature	- 20°C ~ +85°C	
相对湿度 Relatively humidity	≤ RH85% 无结露 No icing	
防护等级 Protect grade	IP54	

安装尺寸图 Mounting Dimensions (单位 Unit: mm)



编码器/磁栅尺
Encoder/Magnetic Scale

位移/倾角/计数器
Displacement /Inclination /Counter

接近/加速度/温度
Proximity/Acceleration/Temperature

光电/超声波/区域
Photoelectric/Ultrasonic/Area

压力/称重
Pressure / load cell

联轴器/附件
Couplings/Accessories