

# MUJIE 慕杰<sup>®</sup>

YOUR AUTOMATION, YOUR MUJIE!

适用于多种用途，产品性能与品质良好 金属外壳，便于安装保护，配有醒目的指示灯，便于查看工作状态

It is suitable for a variety of purposes. The metal shell with good product performance and quality is easy to install and protect. It is equipped with a striking indicator light to check the working status

## 圆柱形电感式接近传感器MI08系列 Cylindrical inductive proximity sensor M08 series



### 型号说明 Model Explanation

M	I	08	-02	N	K	-Z	-□	-□
基本型号Model M:型号代码 Model code M□: 特殊型号定义 Special definition	传感器类别: I:常规圆柱形 电感式 Cylindrical inductive proximity sensor	直径OD: 08:8mm	检测距离 Sensing distance: 1.5:1.5mm 02:2mm	输出方式Output configuration: N:NPN输出 DC 3-wire,NPN P:PNP输出DC 3-wire,PNP D:直流两线输出 DC 2-wire A:交流两线输出 AC 2-wire	输出状态 Operation mode: K:常开 NO B:常闭 NC	产品等级 Product grade: Z:Z级	线缆长度 Cable length (标配2米 Standard Cable length is 2m) 5 : 5m	客户定制 Customized informat

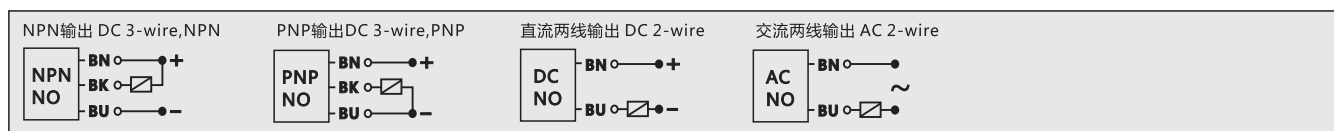
### 产品种类 Product Category

型号 Model	形状 Appearance	检测距离 Sensing distance	输出规格 Output configuration	动作状态 Operation mode	连接方式 Connection mode
MI08-02NK-Z	非埋入 Unshielded	2mm	N:NPN输出 DC 3-wire,NPN P:PNP输出 DC 3-wire,PNP D:直流两线输出 DC 2-wire A:交流两线输出 AC 2-wire	K:常开 NO B:常闭 NC	导线引出/航插 Cable line/Plug
MI08-1.5NK-Z	埋入 Shielded	1.5mm			

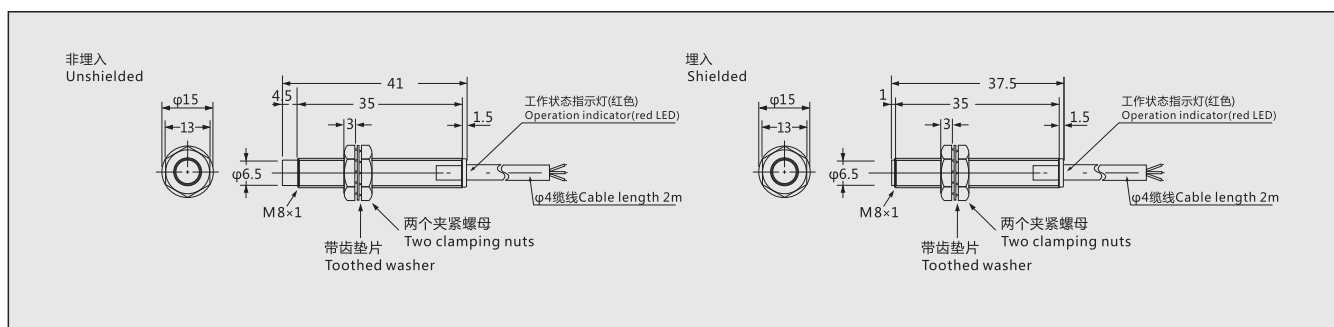
### 技术规格 Specification

型号 Type	MI08-2/1.5N/P/D/A	
电源电压 Voltage	直流NPN/PNP/DC:10-30VDC	交流AC:220VAC
检测距离 Sensing distance	2mm/1.5mm	
消耗电流 Leakage current	<10mA/ <10mA/ <1mA	<3mA
极性保护 Polarity protection	Yes/Yes	
工作状态指示灯 Indicator	动作显示(红色LED) Operation indicator(Red LED)	
环境温度 Ambient temperature	-25~+70°C(不结冰with no icing)	
环境湿度 Ambient humidity	工作时/保存时 Operating/Storage:35~95%RH	
绝缘电阻 Insulation resistance	50MΩ max. (DC500V) 充电部总体与外壳间 Between current-carrying parts and case	
耐压 Dielectric strength	AC500V max. 50~60Hz 1min 充电部总体与外壳间 Between current-carrying parts and case	
重复精度 Repeat precision	<3%	
负载电流 Load current	<150mA/ <150mA/ <100mA	<150mA
回差范围 Backlash	1-20%	
压降 Drop	<2.5V/ <2.5V/ <6V	<10V
振动(耐久) Vibration resistance	10~55Hz 复振幅 1.5mm X, Y, Z各方向2h double amplitude for 2 hours each in X, Y and Z directions	
冲击(耐久) Shock resistance	500m/s <sup>2</sup> X, Y, Z各方向10次 500m/s <sup>2</sup> 10 times each X, Y and Z directions	
防护等级 Degree of protection	IEC IP67	
外壳 Case	镍铜合金 Brass-nicke plated	

### 电路输出方式(示例) Example for output circuit



### 安装尺寸图 Mounting Dimensions(单位Unit:mm)



编码器/磁栅尺  
Encoder/Magnetic Scale

位移/倾角/计数器  
Displacement /Inclination /Counter

接近加速度/温度  
Proximity/Acceleration/Temperature

光电/超声波/区域  
Photoelectric/Ultrasonic/Area

压力/称重  
Pressure / load cell

联轴器/附件  
Couplings/Accessories