

MUJIE 慕杰®

YOUR AUTOMATION, YOUR MUJIE!


小型光电传感器MTZ系列 Small photoelectric sensor MTZ series

体积小,节省空间,安装方便,防护等级IP69;
不受背景颜色的影响,精准检测物体;
金属外壳,可用于水或其他液体的高湿度环境中工作。
BGS功能的完美应用,即使在异色工件流通的生产线上进行换产时,
也无需调节检测距离;

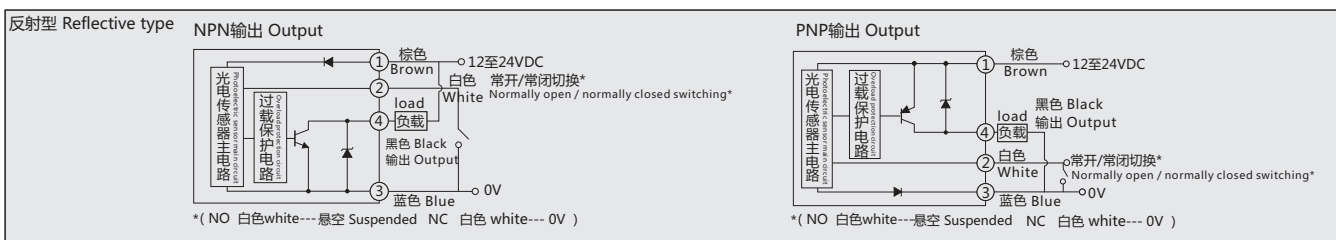
Small size, space saving, easy installation, protection grade IP69;
Accurate detection of objects without the influence of background color;
With metal shell, it can be used in high humidity environment of water or other liquids. Perfect application of BGS function, even when changing production on the production line with different color workpieces circulating, perfect application of BGS function, even when changing production on the production line with different color workpieces circulating,



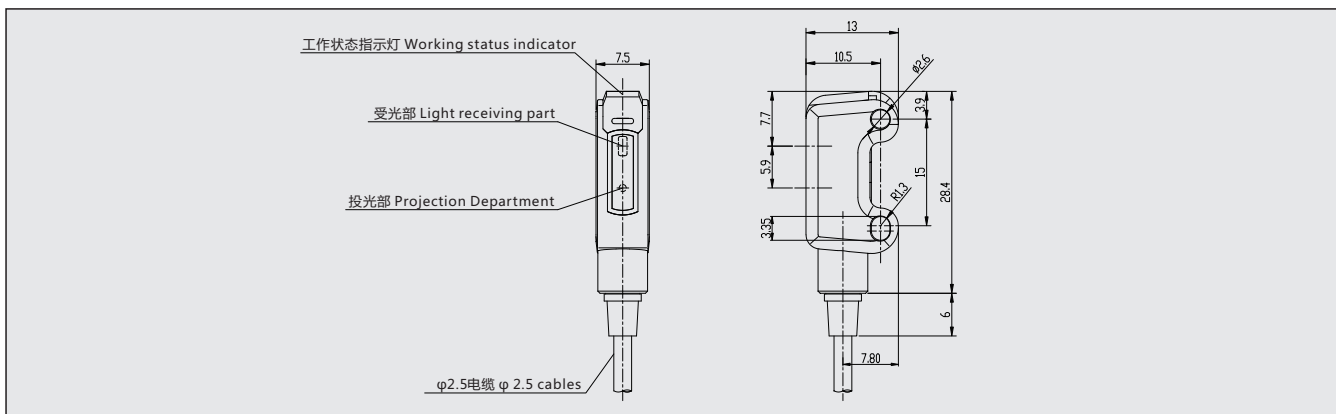
型号及技术规格 Model and technical specification

类型 Type	漫反射 Diffuse reflection		
型号 Model	NPN输出 Output	MTZ-3NKB-Z	
	PNP输出 Output	MTZ-3PKB-Z	
外观 Appearance			
检测距离 Detection distance	白纸 White paper:100*100	检测距离 Detection distance :2-50mm	哑黑纸 Matte black paper:2-35mm
空载电流 No load current	≤15mA		
光斑尺寸 Spot size	φ4mm		
应差 Answer	检测距离的20%以下 Less than 20% of the detection distance		
光源 (波长) Light source (wavelength)	Red 红色LED (650nm)		
电源电压 Supply voltage	DC 12~24V		
响应频率 Response frequency	700Hz		
环境温度 Ambient temperature	-20~+60°C		
环境湿度 Ambient humidity	30~95%		
储存温度/湿度 Storage temperature / humidity	-20~+60°C/30%~95%		
振动 (耐久) Vibration (durability)	10~55Hz, 1.5mm 双振幅, 在X、Y、Z方向达到1h Double amplitude, 1H in X, y and Z directions		
冲击 (耐久) Impact (durable)	500m /s²双振幅, 在X、Y、Z各方向3次 Double amplitude, 3 times in X, y and Z directions		
防护等级 Protection level:	IP69		
保护电路 Protection circuit	正负极反接防护、负载短路保护 Positive and negative reverse connection protection, load short circuit protection		
输出指示灯 Output indicator	Red 红色LED		
电源指示灯 Power indicator	Green 绿色LED		
常开/常闭模式 Normally open / normally closed mode	常开 (入光动作) / 常闭 (遮光动作) 模式可选 Normally open (light entry action) / normally closed (light blocking action) mode is optional		
连接方式 Connection mode	导线引出型 (标准导线长2m) Lead out type (standard lead length 2m)		
外壳材质 Shell material	金属外壳 Metal shell		

电路输出方式(示例) Example for output circuit



安装尺寸图 Mounting Dimensions(单位Unit:mm)



编码器/磁栅尺
Encoder/Magnetic Scale

位移/倾角/计数器
Displacement/Inclination/Counter

接近/加速度/温度
Proximity/Acceleration/Temperature

光电/超声波/区域
Photoelectric/Ultrasonic/Area

压力/称重
Pressure / load cell

联轴器/附件
Couplings/Accessories