

MUJIE 慕杰[®]

YOUR AUTOMATION, YOUR MUJIE!

外观坚固耐磨，测量精准，采用尽快柔韧钢丝，主要用于液压系统，直线运动系统控制，位移应变检测等

模拟量旋转拉线编码器MLX63A系列
Analog rotary cable encoder mlx63a series

Solid and wear-resistant appearance, accurate measurement, imported flexible steel wire, mainly used for hydraulic system, linear motion system control, displacement strain detection, etc



► 型号说明 Model Explanation

MLX	63	A	-4-20mA-	2	24	F	2	□
基本型号 Model M:常规增量型 Incremental encoder M□:特殊型号定义 Special definition	拉线盒尺寸 Size 50:50 63:63 115:115	输出类型 Type of output S: 数字量输出 S: Digital output A: 模拟量输出 A: Analog output	输出方式 Output configuration: 4-20mA 0-5V 0-10V 0-5K 0-10K 485	拉线行程 Stroke 2m	电压 Supply voltage 5:5V 24:24V 12:12V 30:30V	出线方式 Outlet way G:侧出线 Side outlet F:侧出线防水 Side outlet waterproof E:后出线 Bottom outlet	线缆长度 Cable 2: 2m	客户定制 Customized informat

► 电缆线色说明 Cable Color Explanation

信号线Signal	DC8~30V	GND	4-20mA	4mA(设定线)	20mA(设定线)	-	-	屏蔽线Shield
5芯电缆线5 wires	红 Red	黑 black	黄 yellow	绿 green	白 white	-	-	N.C

*实际线色，请以编码器上的标签标注为准
The actual line color shall be subject to the label on the encoder

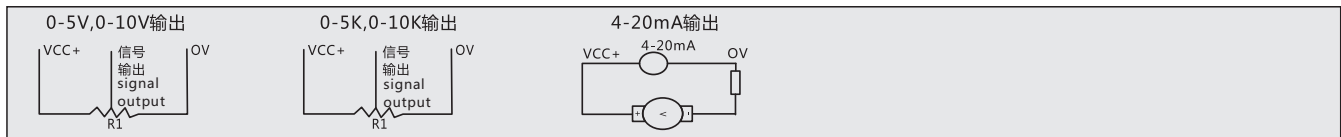
► 技术规格 Specification

机械及环境参数 Mechanical and Environmental		电气参数 Electric parameter	
电源电压 Supply voltage	8-30VDC	允许最大机械转速 Maximum allowable mechanical speed	1500r/min
单圈分辨率 Single lap resolution	4096	启动力矩 Starting torque (N.m)	9.8x10 ⁻⁴
多圈分辨率 Multi turn resolution	4096	轴最大负荷 Maximum load of shaft	轴向 axial 29.4N 径向 radial 19.6N
输出模式 Output mode	4-20mA输出或者0-10V输出	转动惯量 Moment of inertia (kg.m ²)	8.0x10 ⁻⁷
工作温度 working temperature	-40℃~85℃	重量 weight (kg)	0.2
储存温度 Storage temperature	-40℃~85℃		
相对湿度 relative humidity	95% RH		
防护等级 Degree of protection	标准 standard Ip54, F侧出线防水可达IP65		

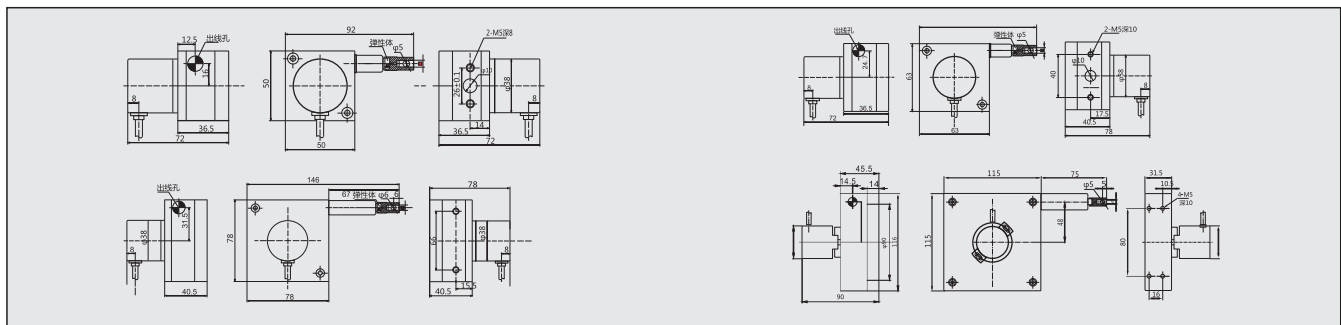
► 模拟量使用说明 Instructions for analog quantity

编码器采用线短接的方式标定电流值 The encoder uses the method of short circuit to calibrate the current value
4-20mA设定方法举例：(0-10V设置方法相同) Example of 4-20mA setting method: (the setting method of 0-10V is the same)
1、编码器红色线连接电源正极，黑色线连接电源负极，The red line of the encoder is connected to the positive pole of the power supply, and the black line is connected to the negative pole of the power supply
2、旋转编码器至需要标定4mA电流值的位置，Rotate the encoder to the position where 4mA current value needs to be calibrated
3、绿色和电源正极短接，时间大于1秒后松开，悬空或接地，The green wire is not short circuited to the positive pole of the power supply. It will be released after more than 1 second, suspended or grounded.
4、旋转编码器至需要标定20mA电流值的位置，Rotate the encoder to the position where 20mA current value needs to be calibrated
5、白色线与电源正极短接，时间大于1秒后松开，悬空或接地。The white wire is not short circuited to the positive pole of the power supply. It will be released after more than 1 second, suspended or grounded
至此电流设定完成，在该两个位置之间旋转编码器，编码器输出电流在4-20mA之间连续变化。
At this point, the current setting is completed. Rotate the encoder between the two positions, and the encoder output current changes continuously between 4-20mA.
注：1、不可在同一位置设置4mA和20mA 2、因编码器有量程，设置4mA和20mA应在同一量程范围内；若超过了同一量程范围，则设置不成功。
It is not allowed to set 4mA and 20mA at the same position. Because the encoder has a range, setting 4mA and 20mA should be within the same range; if it exceeds the same range, the setting is unsuccessful.

► 电路输出方式(示例) Example for output circuit



► 安装尺寸图 Mounting Dimensions(单位Unit:mm)



编码器/磁栅尺
Encoder/Magnetic Scale

位移/倾角/计数器
Displacement/Inclination/Counter

接近加速度/温度
Proximity/Acceleration/Temperature

光电/超声波/区域
Photoelectric/Ultrasonic/Area

压力/称重
Pressure/Load cell

联轴器/附件
Couplings/Accessories